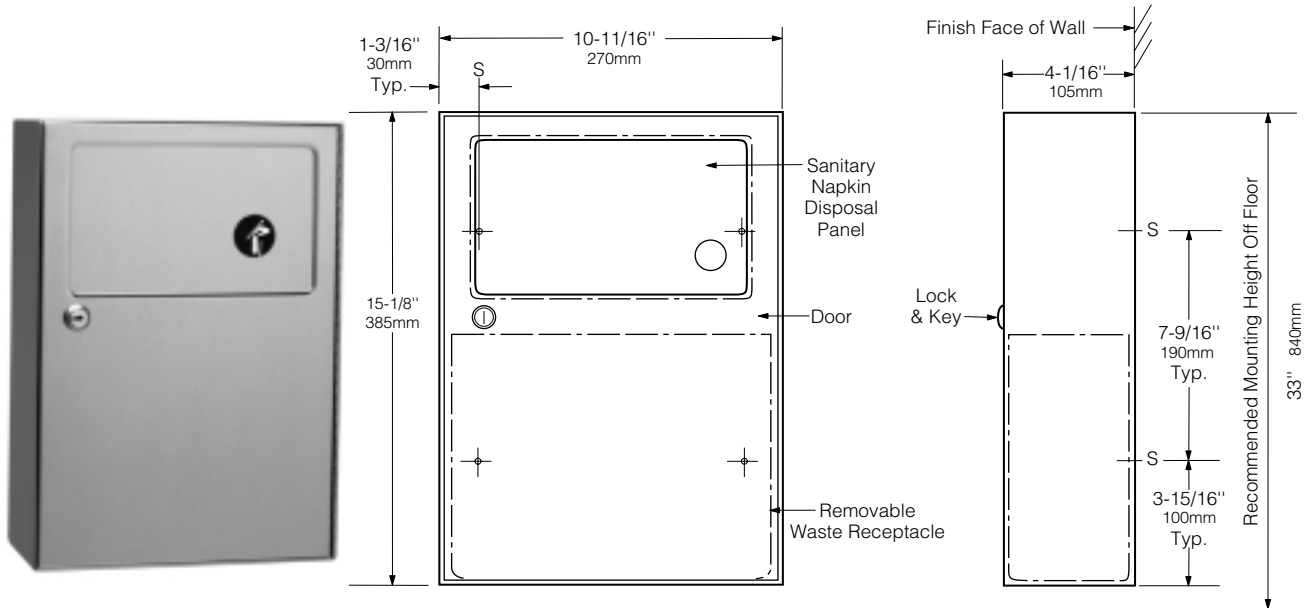




Technical Data

# SURFACE-MOUNTED SANITARY NAPKIN DISPOSAL

# B-254



### MATERIALS:

**Cabinet** — 18-8 S, type-304, heavy-gauge stainless steel. All-welded construction. Exposed surfaces have satin finish.

**Door** — 18-8 S, type-304, 22-gauge (0.8mm) stainless steel with satin finish. Secured to cabinet with a full-length stainless steel piano-hinge. Equipped with a tumbler lock keyed like other Bobrick washroom accessories.

**Disposal Panel** — 18-8 S, type-304, 22-gauge (0.8mm) stainless steel with satin finish. Bottom edge hemmed for safety. Secured to door with a spring-loaded, full-length stainless steel piano-hinge. Equipped with an international graphic symbol identifying sanitary napkin disposal.

**Waste Receptacle** — Leak-proof, rigid molded polyethylene. Removable for servicing. Capacity: 1.2 gal. (4.6 L).

### OPERATION:

Unit is equipped with a self-closing panel covering disposal opening. Napkin disposal is emptied by opening door with furnished key and removing waste receptacle. Disposable paper liners for the receptacle are available as an optional accessory: order Bobrick Part No. 353-12.

### INSTALLATION:

For partitions with particle-board or other solid core, secure with four #8 x 1-1/4" (4.2 x 32mm) sheet-metal screws (not furnished), or provide through-bolts, nuts, and washers.

For hollow-core metal partitions, provide solid backing into which sheet-metal screws can be secured. If two units are installed back-to-back, then provide threaded sleeves and machine screws for the full thickness of partition.

For plaster or dry wall construction, provide concealed backing to comply with local building codes, then secure unit with #8 x 1-1/4" (4.2 x 32mm) sheet-metal screws.

For other wall surfaces, provide fiber plugs or expansion shields for use with #8 x 1-1/4" (4.2 x 32mm) sheet-metal screws, or provide 3/16" (5mm) toggle bolts or expansion bolts.

### SPECIFICATION:

Surface-mounted sanitary napkin disposal shall be type-304 stainless steel with all-welded construction; exposed surfaces shall have satin finish. Door shall be secured to cabinet with a full-length stainless steel piano-hinge and equipped with a tumbler lock keyed like other Bobrick washroom accessories. Unit shall have a self-closing panel covering disposal opening. Panel shall have bottom edge hemmed for safety, be secured to door with a spring-loaded, full-length stainless steel piano-hinge, and equipped with an international graphic symbol identifying sanitary napkin disposal. Unit shall be furnished with a removable, leak-proof, rigid molded polyethylene receptacle. Receptacle shall have a capacity of 1.2 gal. (4.6 L). Manufacturer's service and parts manual shall be provided to the building owner/manager upon completion of project.

**Surface-Mounted Sanitary Napkin Disposal shall be Model B-254 of Bobrick Washroom Equipment, Inc., Clifton Park, New York; Jackson, Tennessee; Los Angeles, California; Bobrick Washroom Equipment of Canada Ltd., Scarborough, Ontario; Bobrick Washroom Equipment Pty. Ltd., Australia; and Bobrick Washroom Equipment Limited, United Kingdom.**