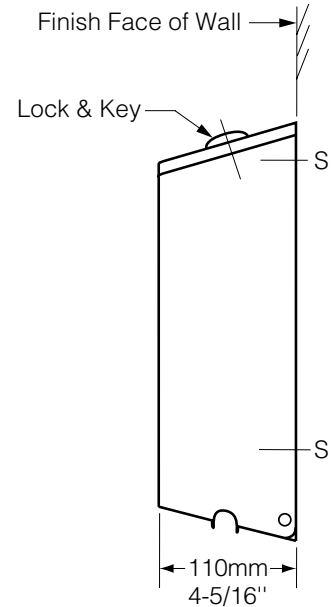
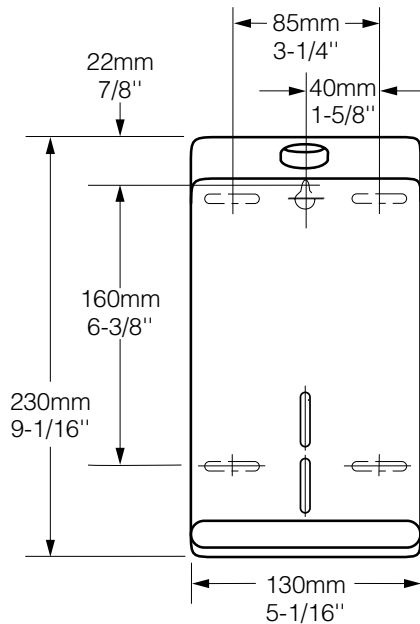




Technical Data

SURFACE-MOUNTED TOILET TISSUE CABINET

B-2721



MATERIALS:

Cabinet — 18-8 S, type-304, 0.8mm (22-gauge) stainless steel with satin finish. Equipped with a tumbler lock keyed like other Bobrick washroom accessories.

OPERATION:

Unit dispenses either single- or doublefold toilet tissue. Large capacity accommodates 1330 singlefold toilet tissues and can be refilled with full standard pack before dispenser is empty. Slots in cabinet indicate refill time.

INSTALLATION:

Mount unit on wall or partition with four 4.5 x 19mm (#8 x 3/4") sheet-metal screws, furnished by manufacturer, at points indicated by an S. For plaster or dry wall construction, provide concealed backing to comply with local building codes, then secure with screws furnished. For other wall surfaces, provide fiber plugs or expansion shields for use with screws furnished or provide 3mm (1/8") toggle bolts or expansion bolts.

SPECIFICATION:

Surface-mounted toilet tissue cabinet shall be type-304 stainless steel with satin finish. Unit shall dispense either single- or doublefold toilet tissue and be equipped with a tumbler lock keyed like other Bobrick washroom accessories. Manufacturer's service and parts manual shall be provided to the building owner/manager upon completion of project.

Surface-Mounted Toilet Tissue Cabinet shall be Model B-2721 of Bobrick Washroom Equipment, Inc., Clifton Park, New York; Jackson, Tennessee; Los Angeles, California; Bobrick Washroom Equipment of Canada Ltd., Scarborough, Ontario; Bobrick Washroom Equipment Pty. Ltd., Australia; and Bobrick Washroom Equipment Limited, United Kingdom.