

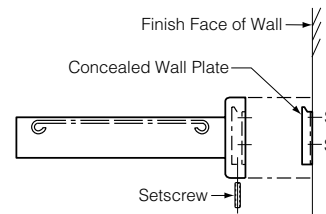
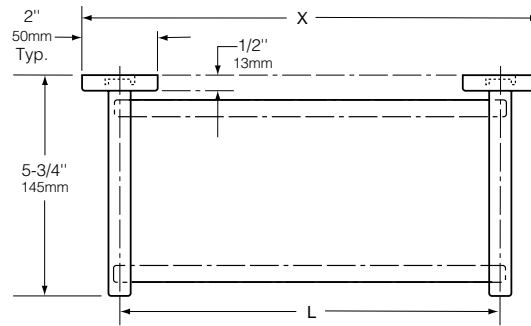


Technical Data

SURFACE-MOUNTED STAINLESS STEEL SHELF

B-683 B-6837

Specify Model Required: Model B-683 Bright polished stainless steel
 Model B-6837 Satin-finish stainless steel



Model No.	Bar Length L	Overall Length X
B-6837 x 18	18" (455mm)	20" (510mm)
B-6837 x 24	24" (610mm)	26" (660mm)

MATERIALS:

Flanges and Support Arms (2) — 18-8 S, type-304, 22-gauge (0.8mm) stainless steel. Each flange has a concealed, 16-gauge (1.6mm) stainless steel mounting bracket. All-welded construction. Secured to wall plates with stainless steel setscrews.

Concealed Wall Plates (2) — 18-8 S, type-304, 16-gauge (1.6mm) stainless steel.

Shelf — 18-8 S, type-304, 22-gauge (0.8mm) stainless steel with roll-formed edges.

INSTALLATION:

To remove concealed wall plates from back of flanges and mounting brackets, loosen setscrews. Mount each wall plate so prongs are at top; secure with sheet-metal screws, furnished by manufacturer, at points indicated by an S. Engage mounting brackets onto prongs of wall plates, then secure into position by tightening setscrews at bottom of flanges.

Note: Center-to-center of concealed wall plates must be within 1/16" (1.6mm) of the bar length dimension.

For plaster or dry wall construction, provide concealed backing to comply with local building codes, then secure unit with sheet-metal screws furnished. For other wall surfaces, provide fiber plugs or expansion shields for use with sheet-metal screws furnished, or provide 1/8" (3mm) toggle bolts or expansion bolts.

SPECIFICATION:

Surface-mounted shelf shall be type-304 stainless steel with _____ (insert one: bright polished or satin) finish. Flanges and support arms shall be 22 gauge (0.8mm) and equipped with concealed, 16-gauge (1.6mm) mounting brackets that are secured to concealed, 16-gauge (1.6mm) wall plates with stainless steel setscrews. Shelf shall be 22 gauge (0.8mm) with roll-formed edges. Manufacturer's service and parts manual shall be provided to the building owner/manager upon completion of project.

Surface-Mounted Stainless Steel Shelf shall be Model _____ (insert model number) of Bobrick Washroom Equipment, Inc., Clifton Park, New York; Jackson, Tennessee; Los Angeles, California; Bobrick Washroom Equipment of Canada Ltd., Scarborough, Ontario; Bobrick Washroom Equipment Pty. Ltd., Australia; and Bobrick Washroom Equipment Limited, United Kingdom.